

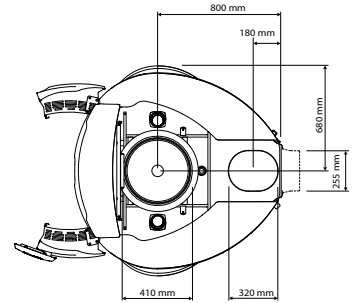
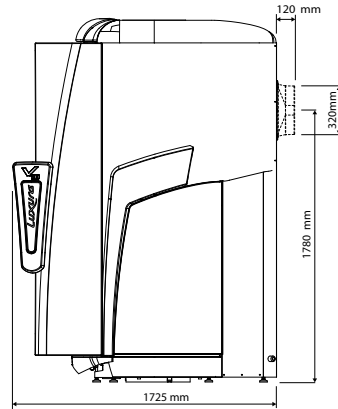
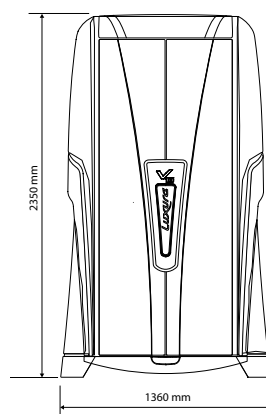
Pearl White Romance

Pearl White Passion



Pearl White Cool

Royal Red



# V10

Type	50 XL	50 XL High Intensive <sup>1</sup>	50 XL IP Control	50 XLc	50 XLc High Intensive <sup>1</sup>	50 SLi	50 SLi High Intensive <sup>1</sup>
Tubes	50 x 120W XL	50 x 180W XL	50 x 80W-180W XL	50 x 120W XLc	50 x 180W XLc	42 x 120W XL and 8 x 80W	42 x 180W XL and 8 x 140W
Face tanner	-	-	-	Integrated	Integrated	4 x 400W	4 x 400W
Weight	600 kg	650 kg	500 kg	600 kg	650 kg	625 kg	675 kg
Power / Fuses	6,8kW / 3 x 16A	11,5kW / 3 x 20A	11kW / 3 x 16A	6,8kW / 3 x 16A	11,5kW / 3 x 20A	8,5kW / 3 x 20A	13kW / 3 x 25A



## features

- SPS (only for SLi versions)
- XL Light
- DecoLight
- Floor lighting
- Stand-by inside lighting
- 2 steps adjustable body cooler
- Digital timer display
- Loudspeakers
- 1 hour counter non-resetable
- 1 hour counter resetable
- Internal timer
- Connection for external timer
- 2 doors open simultaneously

- Features standard
- Features optional

- HPS (only for SLi versions)
- Xsens
- Qsens
- Lift system
- SoundAround Basic<sup>2</sup>



<sup>1</sup>Intensive variant with 180 W tubes with long spot and 800 h recommended lifetime.

<sup>2</sup>Including My MP3, SmartVoice, 4 external music channels, 4 loudspeakers and subwoofer.